

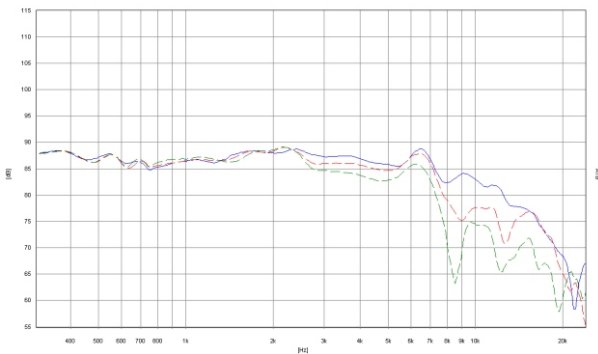
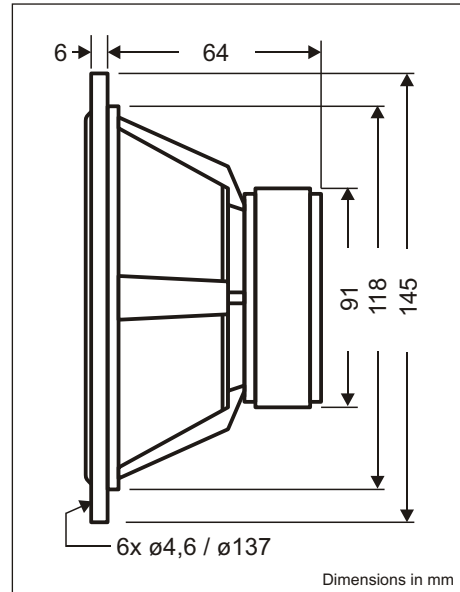
Symphony

Ein 130er Mitteltöner mit Aluminium-Spulenträger, wurde für höchste Ansprüche entwickelt.

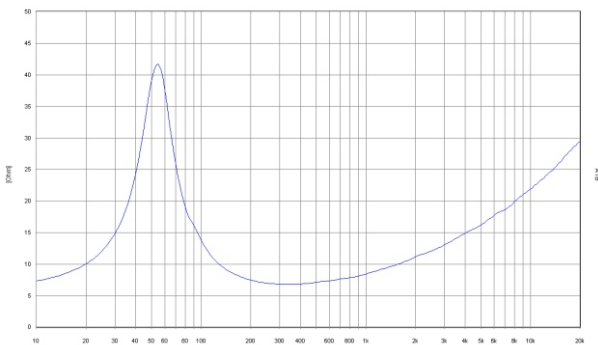
Eine dreischichtige Hexacone-Sandwich-Membrane bekannt für ihre hervorragenden akustischen Eigenschaften ist die beste Voraussetzung für eine authentische Musikwiedergabe.

An advanced high end 5-inch lower midrange driver designed for upper bass and lower midrange performance.

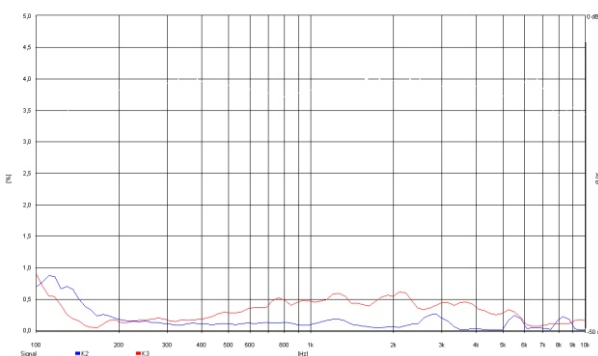
For the hexacone sandwich diaphragm a three-layer sandwich cone is used for extra rigidity and small weight. It impresses by a totally realistic sound reproduction.



The frequency responses measured free field sound pressure in 0, 15 30 degrees angle using endless baffle. Input 2,83 VRMS, microphone distance 1 m



Impedance is measured free air without baffle.



Distortion 1 Watt.

Nominal impedance	Z_n	8	
DC resistance	R_e	6.3	
Resonance frequency 1W	f_r	45	Hz
Resonance frequency TS-parameter-meas.	f_r	54	Hz
Suspension compliance	C_{MS}	0.87	mm/N
Mechanical Q	Q_{MS}	2.42	
Electrical Q	Q_{ES}	0.43	
Total Q	Q_{TS}	0.37	
Mechanical resistance	R_{MS}	1.39	kg/s
Total moving mass (including air mass)	M_{MD}	9.81	g
Effective piston area	S_D	80	cm ²
Voice coil diameter		25	mm
Voice coil former		Aluminium	
Voice coil length		12.5	mm
Voice coil layers		2	
Voice coil inductance	L_e	0.55	mH
Flux density	B	1.15	Tesla
Force factor	$B_L \times l$	7.06	Tm
Height of the gap		6	mm
Diameter of magnet		90	mm
Height of magnet		17	mm
Weight of speaker		1.15	kg
Characteristic SPL 1 Watt / 1 m		88	dB SPL
Rated power		70	W
Equivalent air vol. of suspension	V_{AS}	7.81	dm ³

ETON reserves the right to change technical data

07/20